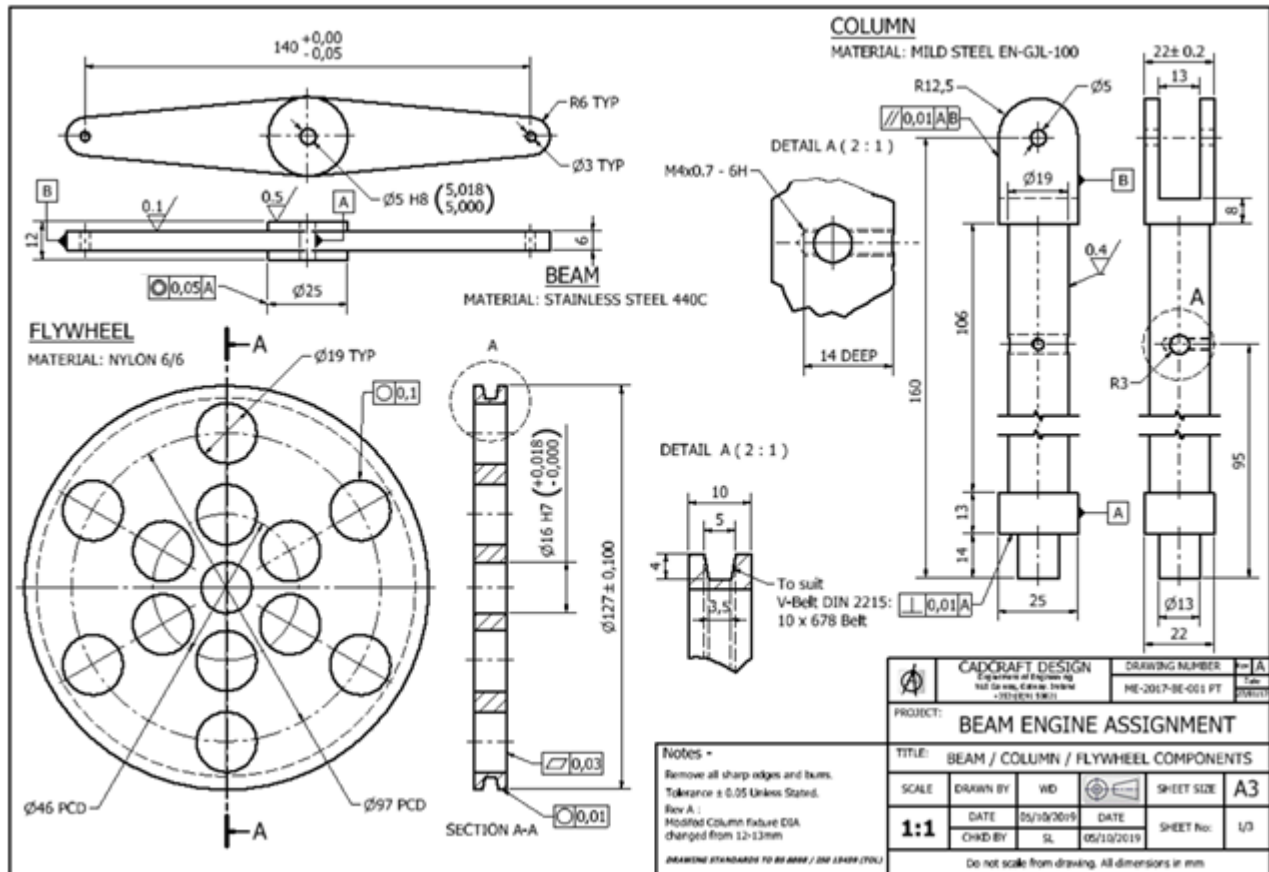




ASSIGNMENT 6 – YEAR 2



Produce an A3 engineering drawing as shown above to ISO standards.

Include all three parts created in the tutorial 13 on the one drawing.

Include Dimensions, View labels, centre lines.

Include the following annotation:-

material, Surface texture symbols, Geometric Tolerances, Limits and appropriate notes.

Also complete the title box.

The drawing does not need to be an exact copy but should show all the items listed above.

Save the drawing as Assignment 6.dwfx